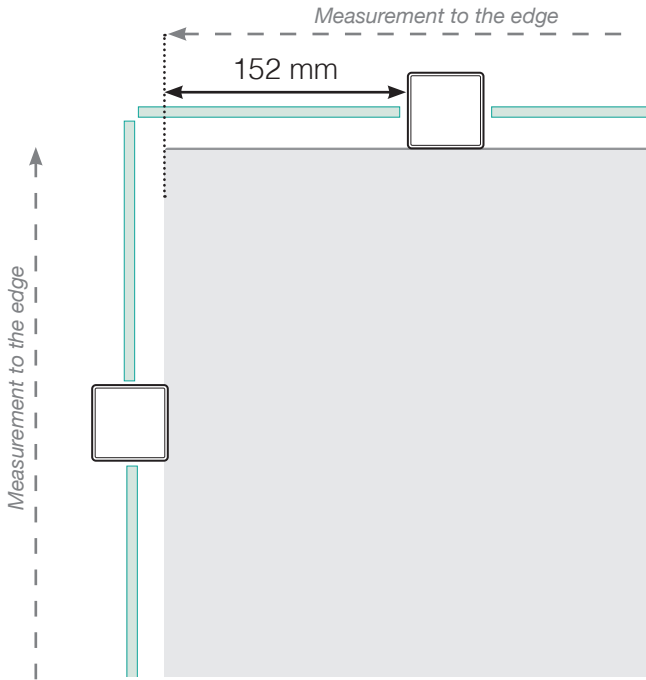


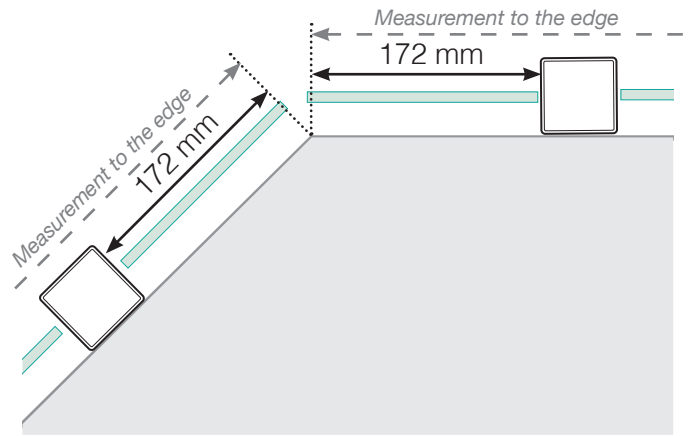
MEASUREMENT DIAGRAM

PLACEMENT - OUTER ALUMINIUM POSTS - WOOD - TYPE 2

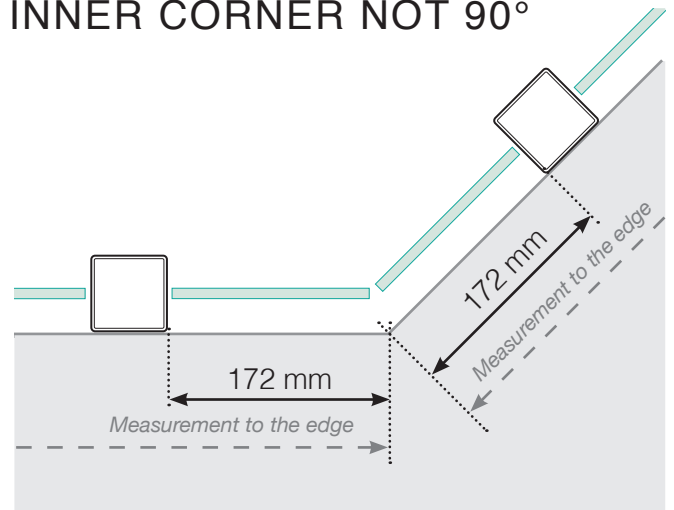
OUTER CORNER



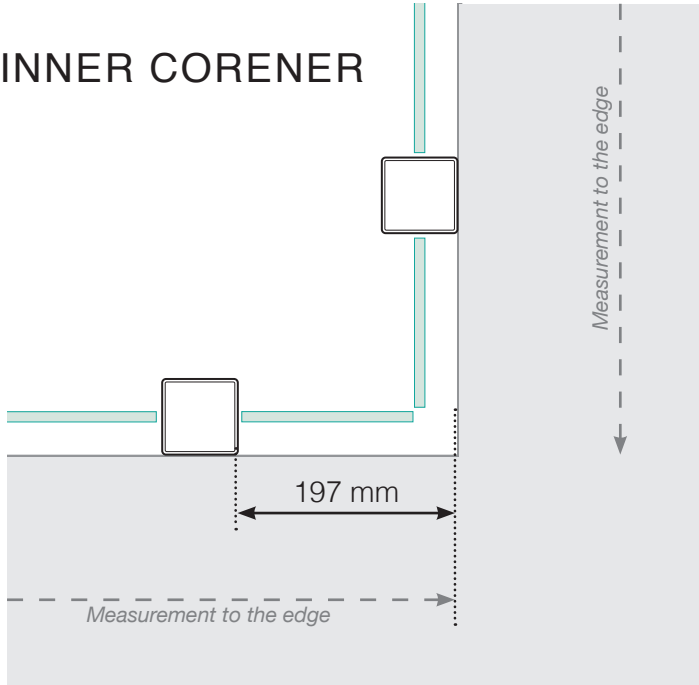
OUTER CORNER NOT 90°



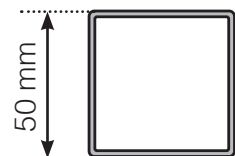
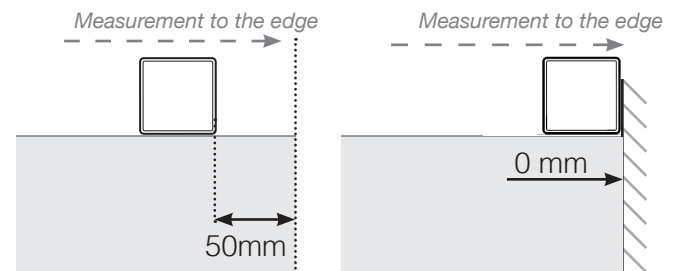
INNER CORNER NOT 90°



INNER CORNER



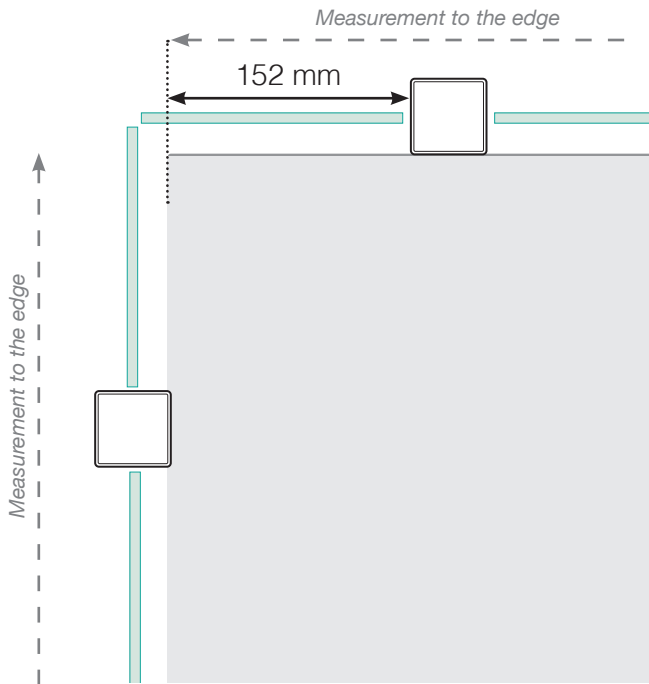
END



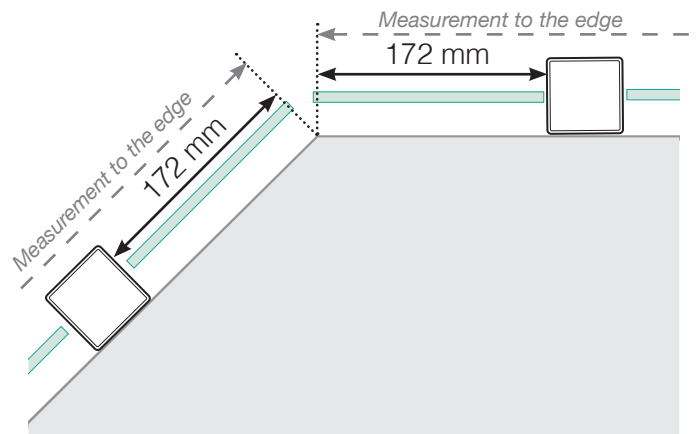
MEASUREMENT DIAGRAM

PLACEMENT - OUTER ALUMINIUM POSTS - CONCRETE - TYPE 2

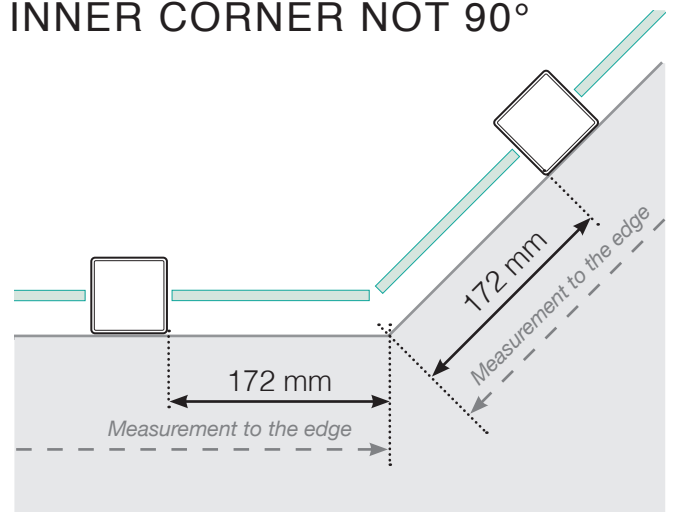
OUTER CORNER



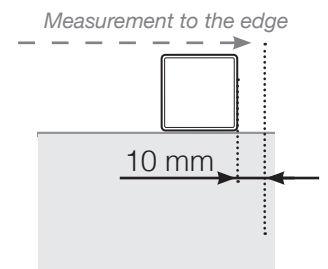
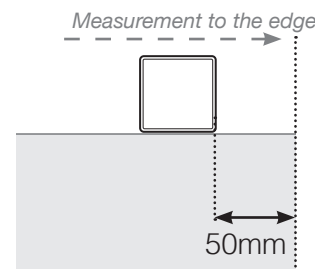
OUTER CORNER NOT 90°



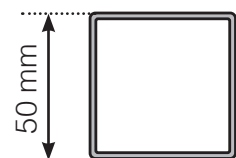
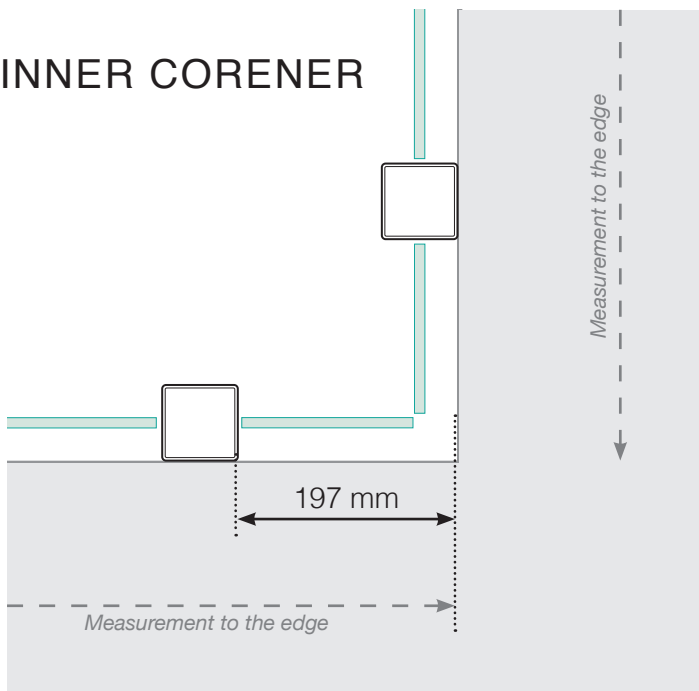
INNER CORNER NOT 90°



END



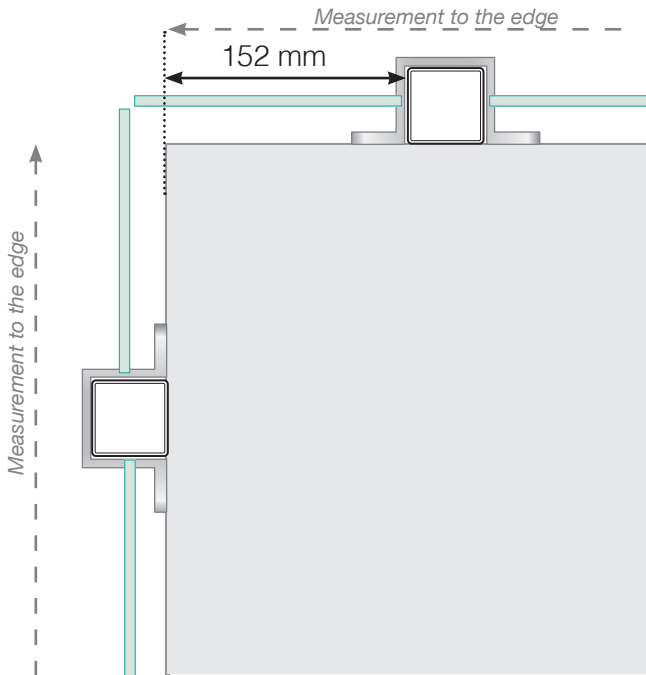
INNER CORNER



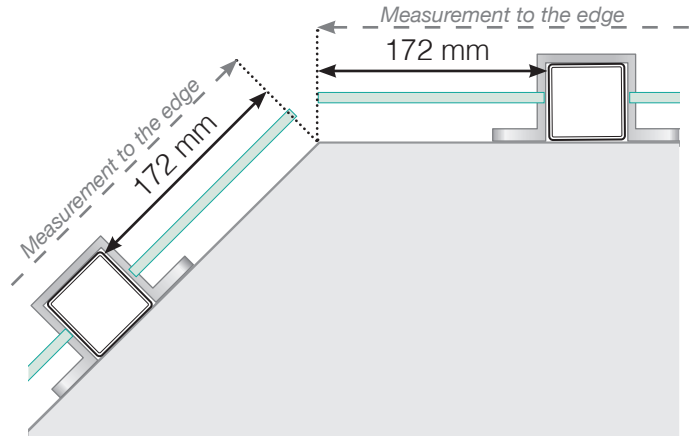
MEASUREMENT DIAGRAM

PLACEMENT - OUTER ALUMINIUM POSTS - BRACKET MOUNT

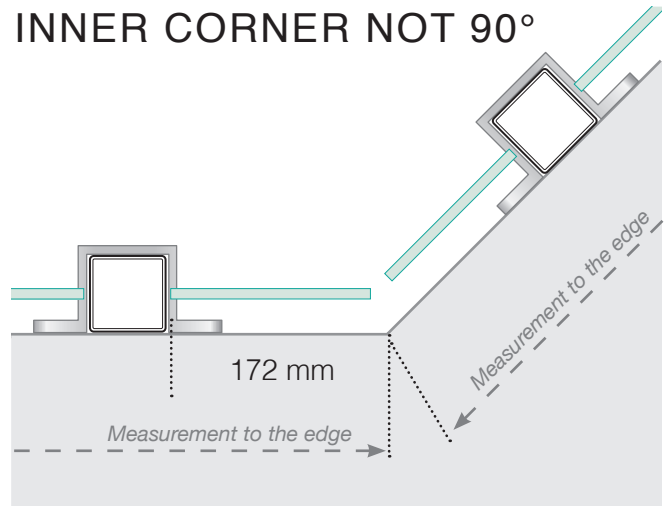
OUTER CORNER



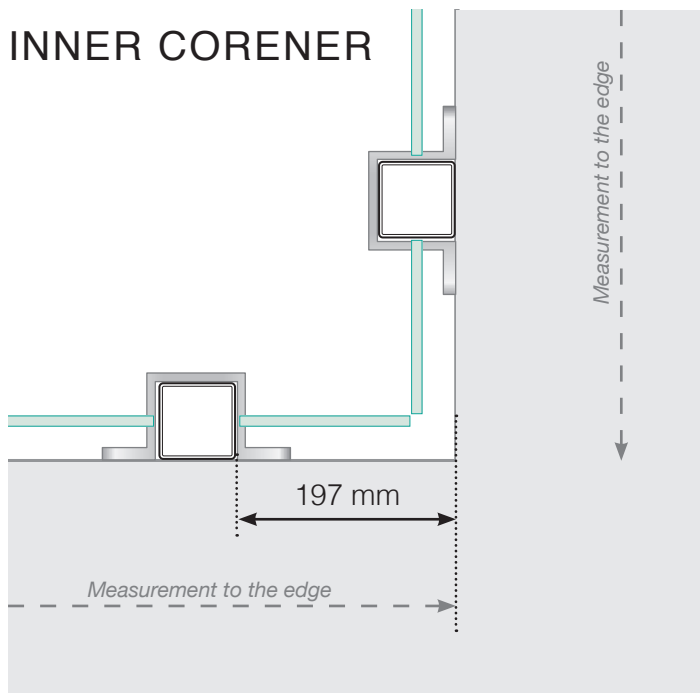
OUTER CORNER NOT 90°



INNER CORNER NOT 90°



INNER CORNER



END

