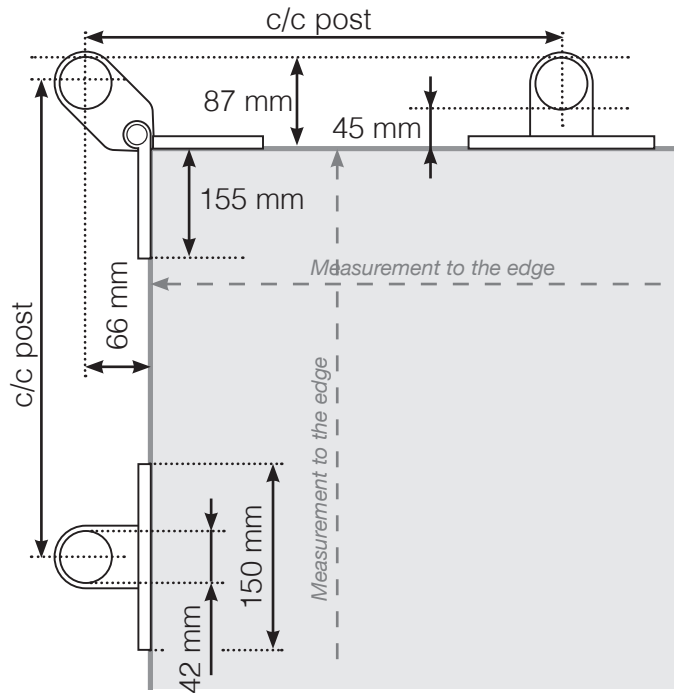


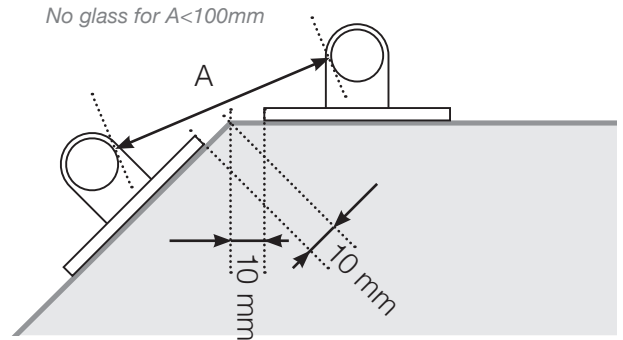
MEASUREMENT DIAGRAM

PLACEMENT - OUTER STAINLESS STEEL POSTS

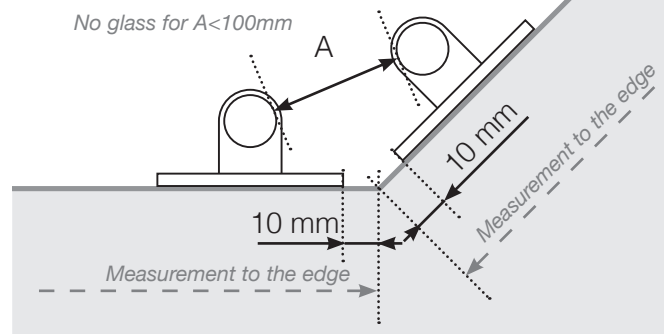
OUTER CORNER



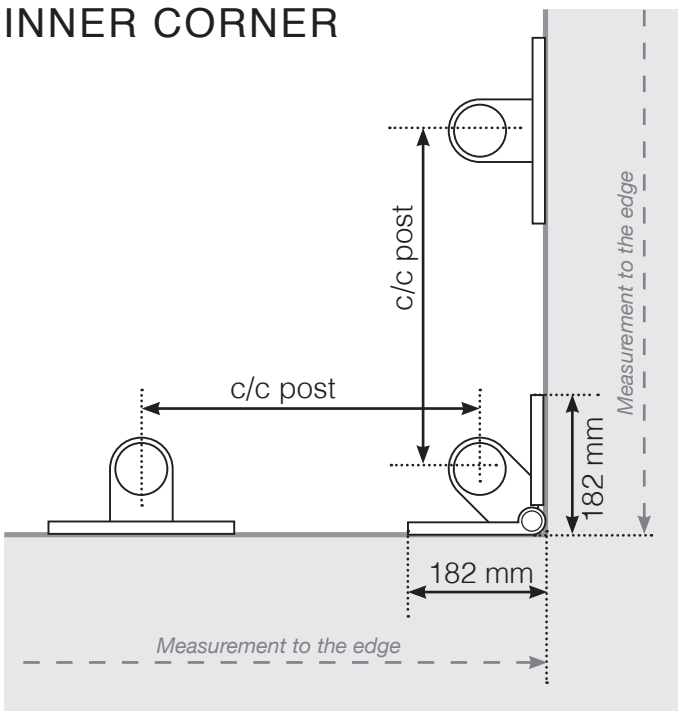
OUTER CORNER NOT 90°



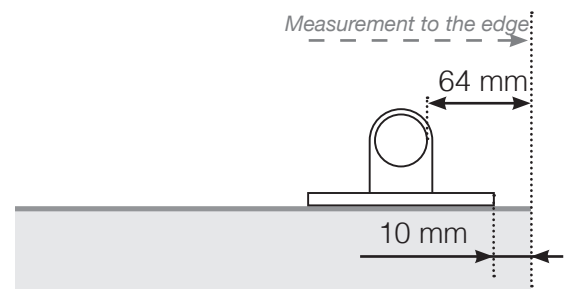
INNER CORNER NOT 90°



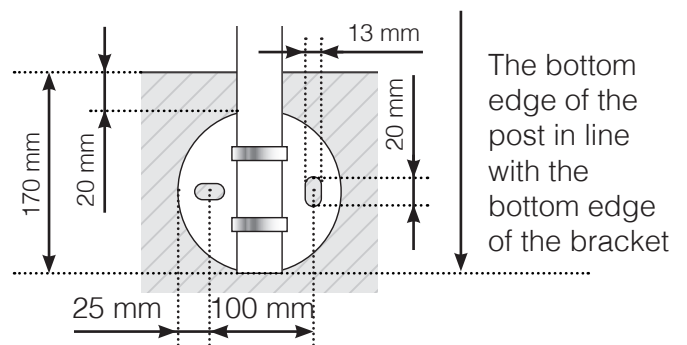
INNER CORNER



END POST



HOLLOW BRACKET



Please note that drawings are not to scale

© Räckesbutiken Sweden AB - www.balustradestore.eu

2022-10-10 v.1.0

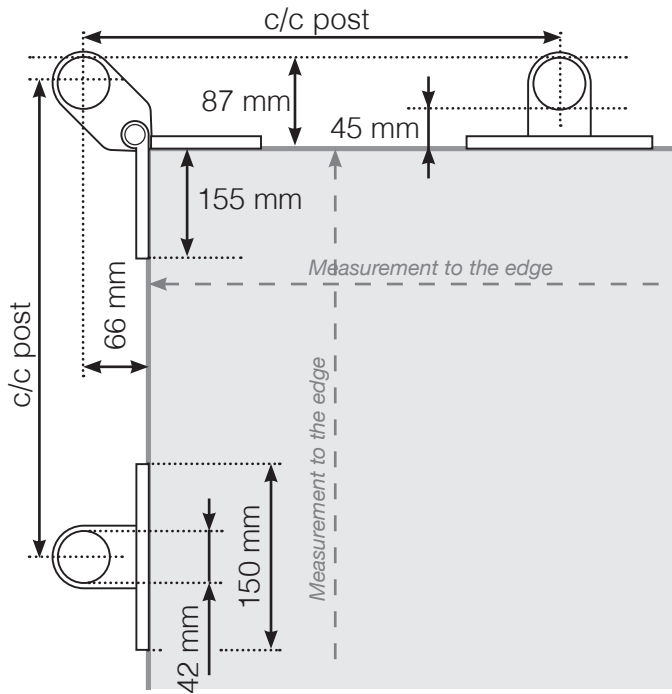


BALUSTRADESTORE.EU

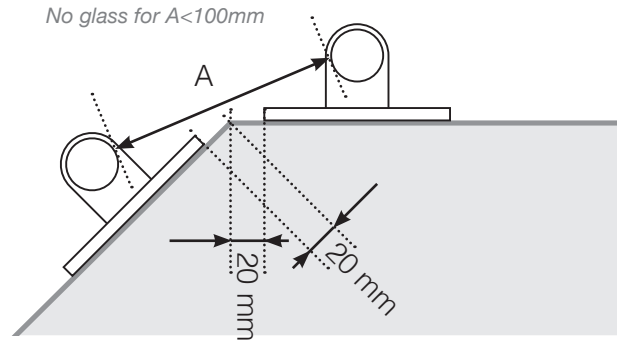
MEASUREMENT DIAGRAM

PLACEMENT - OUTER STAINLESS STEEL POSTS MOUNTING ON THE CONCRETE SUBSTRATE

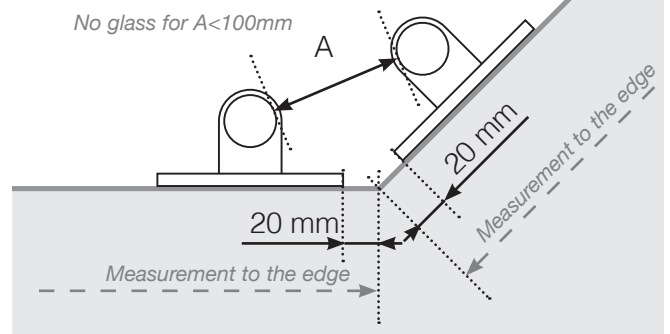
OUTER CORNER



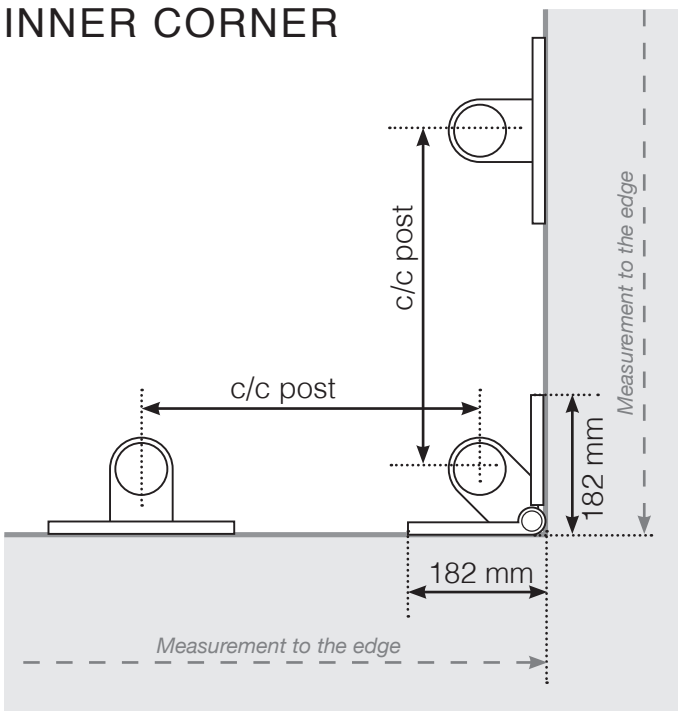
OUTER CORNER NOT 90°



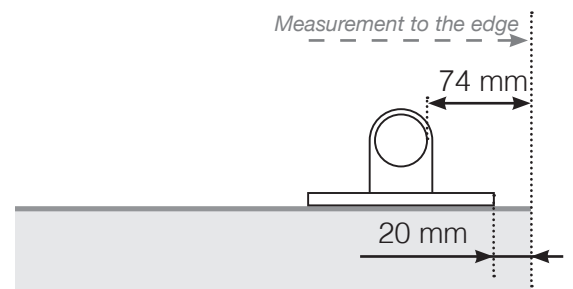
INNER CORNER NOT 90°



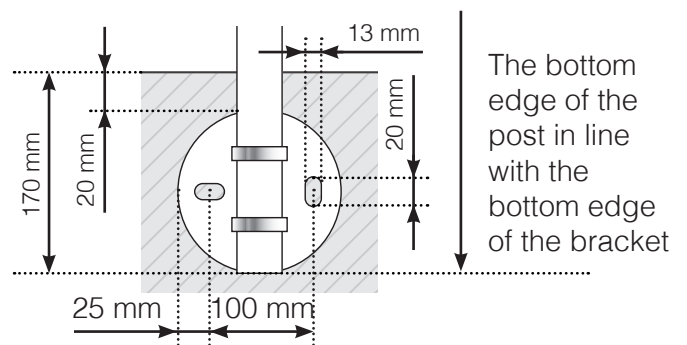
INNER CORNER



END POST



HOLLOW BRACKET



Please note that drawings are not to scale

© Räckesbutiken Sweden AB - www.balustradestore.eu
2022-10-10 v.1.0



BALUSTRADESTORE.EU