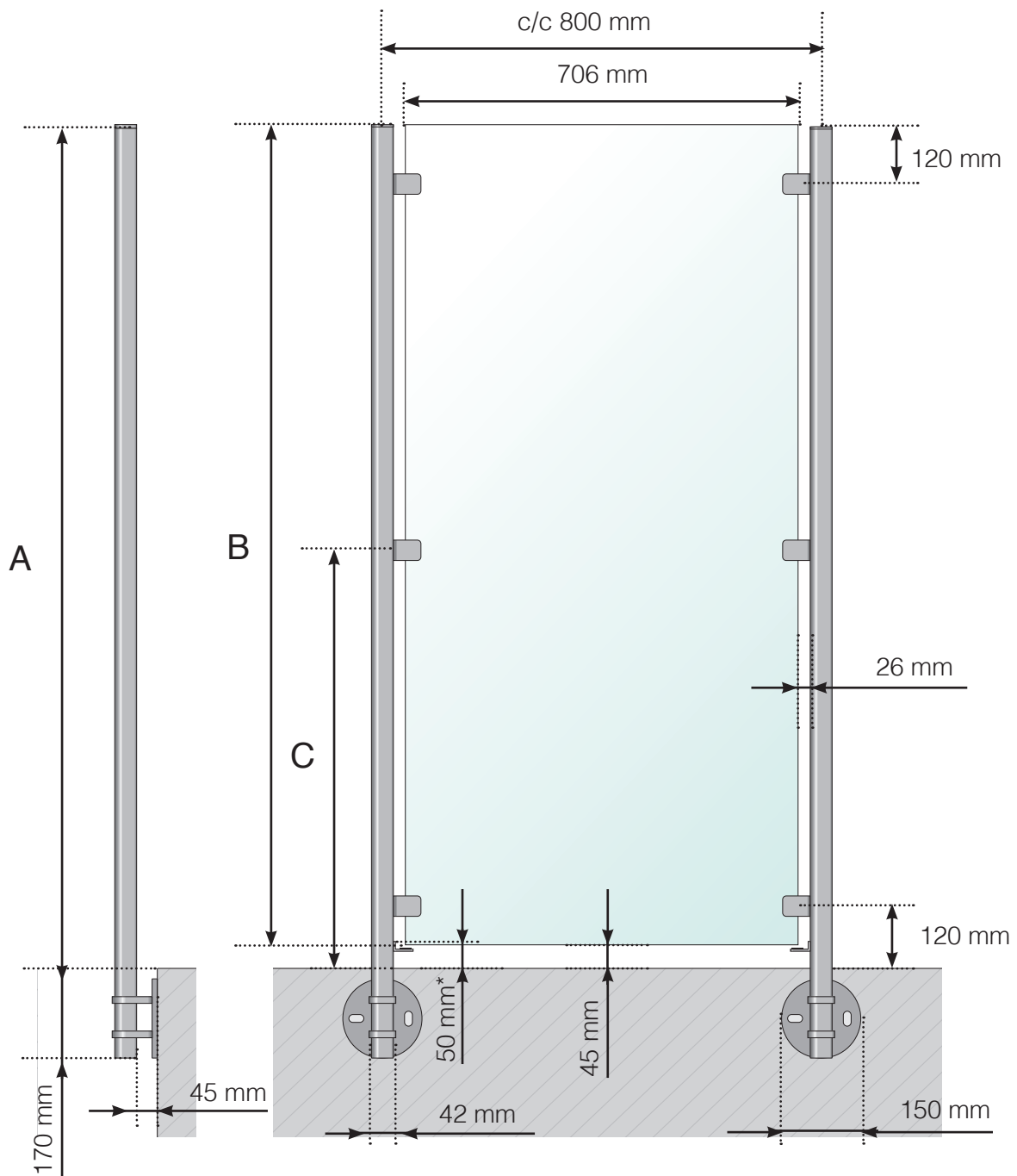


DETAILED MEASUREMENTS

WIND PROTECTION: STAINLESS STEEL, EXTERIOR MOUNTED



- A - The total height of the wind protection from the floor surface
- B - Glass height
- C - Total height of clamp from the floor surface

* Optional fall protection

Please note that the drawings are not to scale

© Räckesbutiken Sweden AB - www.balustradestore.eu

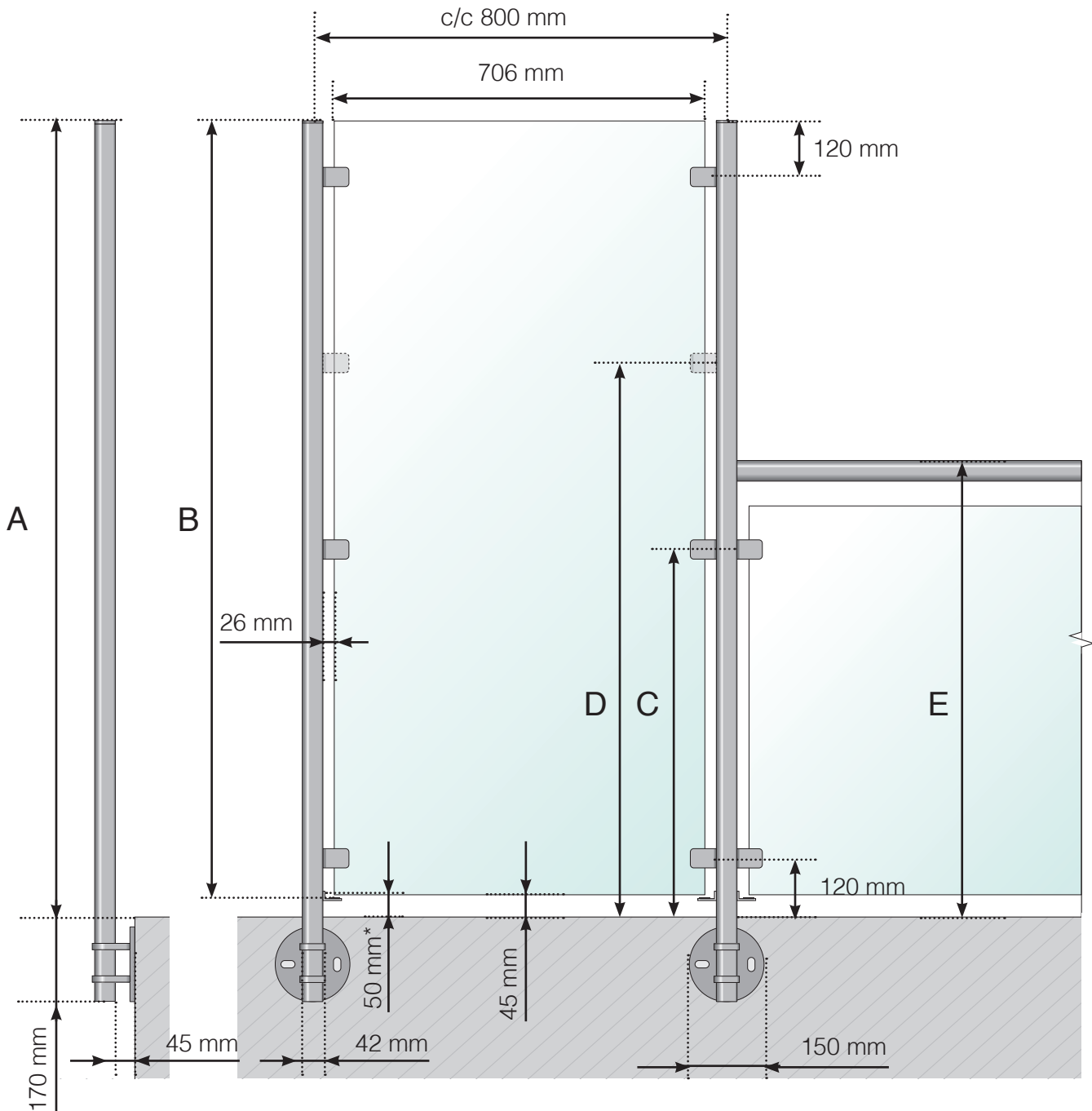
2022-10-10 v.1.0



BALUSTRADESTORE.EU

DETAILED MEASUREMENTS

WIND PROTECTION: STAINLESS STEEL, EXTERIOR MOUNTED RAILING EXTENSION WITH CROSSBAR



A - The total height of the wind protection from the floor surface

B - Glass height

C - Total height of clamp from the floor surface

D - Extra clamp height from the floor surface. **Please note!** Only when extending an 800 or 900 mm high railing.

E - Total railing extension height from the floor surface

Please note that the drawings are not to scale

© Räckesbutiken Sweden AB - www.balustradestore.eu

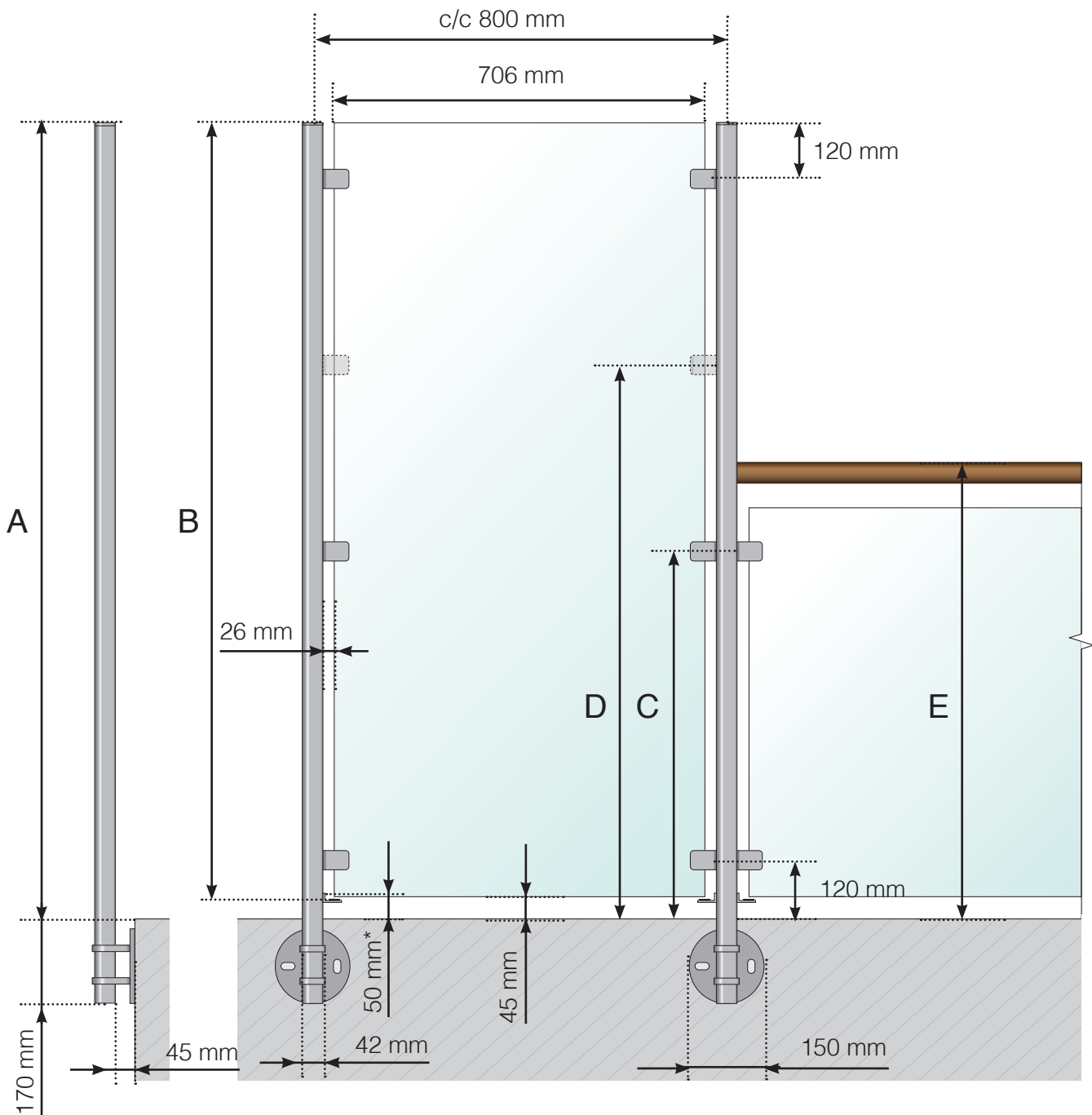
2022-10-10 v.1.0



BALUSTRADESTORE.EU

DETAILED MEASUREMENTS

WIND PROTECTION: STAINLESS STEEL, EXTERIOR MOUNTED
RAILING EXTENSION WITH WOODEN CROSSBAR



A - The total height of the wind protection from the floor surface

B - Glass height

C - Total height of clamp from the floor surface

D - Extra clamp height from the floor surface. **Please note!** Only when extending an 800 or 900 mm high railing.

E - Total railing extension height from the floor surface

Please note that the drawings are not to scale

© Räckesbutiken Sweden AB - www.balustradestore.eu

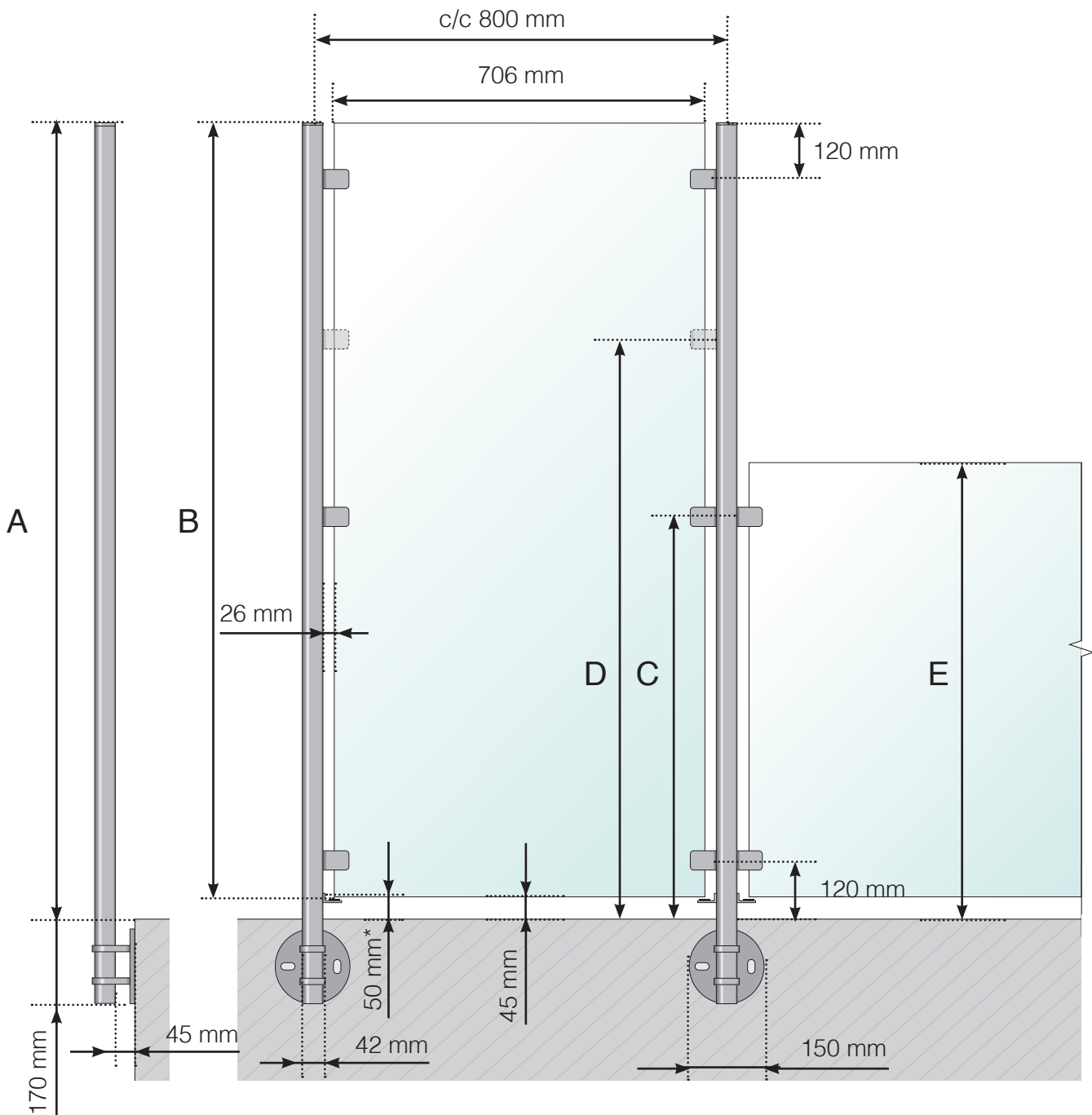
2022-10-10 v.1.0



BALUSTRADESTORE.EU

DETAILED MEASUREMENTS

WIND PROTECTION: STAINLESS STEEL, EXTERIOR MOUNTED
RAILING EXTENSION WITHOUT CROSSBAR



A - The total height of the wind protection from the floor surface

B - Glass height

C - Total height of clamp from the floor surface

D - Extra clamp height from the floor surface. **Please note!** Only when extending an 800 or 900 mm high railing.

E - Total railing extension height from the floor surface

Please note that the drawings are not to scale

© Räckesbutiken Sweden AB - www.balustradestore.eu

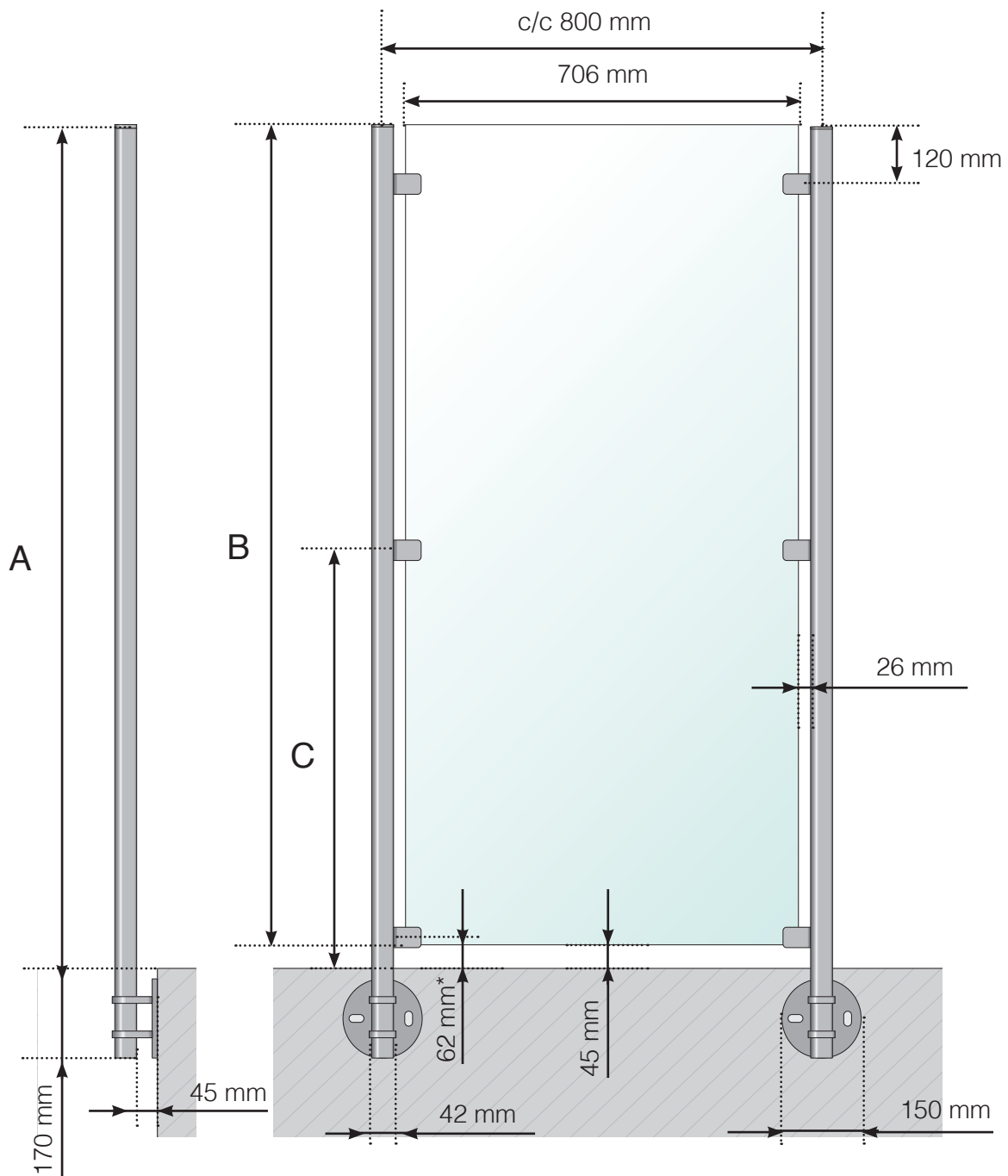
2022-10-10 v.1.0



BALUSTRADESTORE.EU

DETAILED MEASUREMENTS

WIND PROTECTION: STAINLESS STEEL, EXTERIOR MOUNTED



- A - The total height of the wind protection from the floor surface
- B - Glass height
- C - Total height of clamp from the floor surface

* Optional clamp with glass protection

Please note that the drawings are not to scale

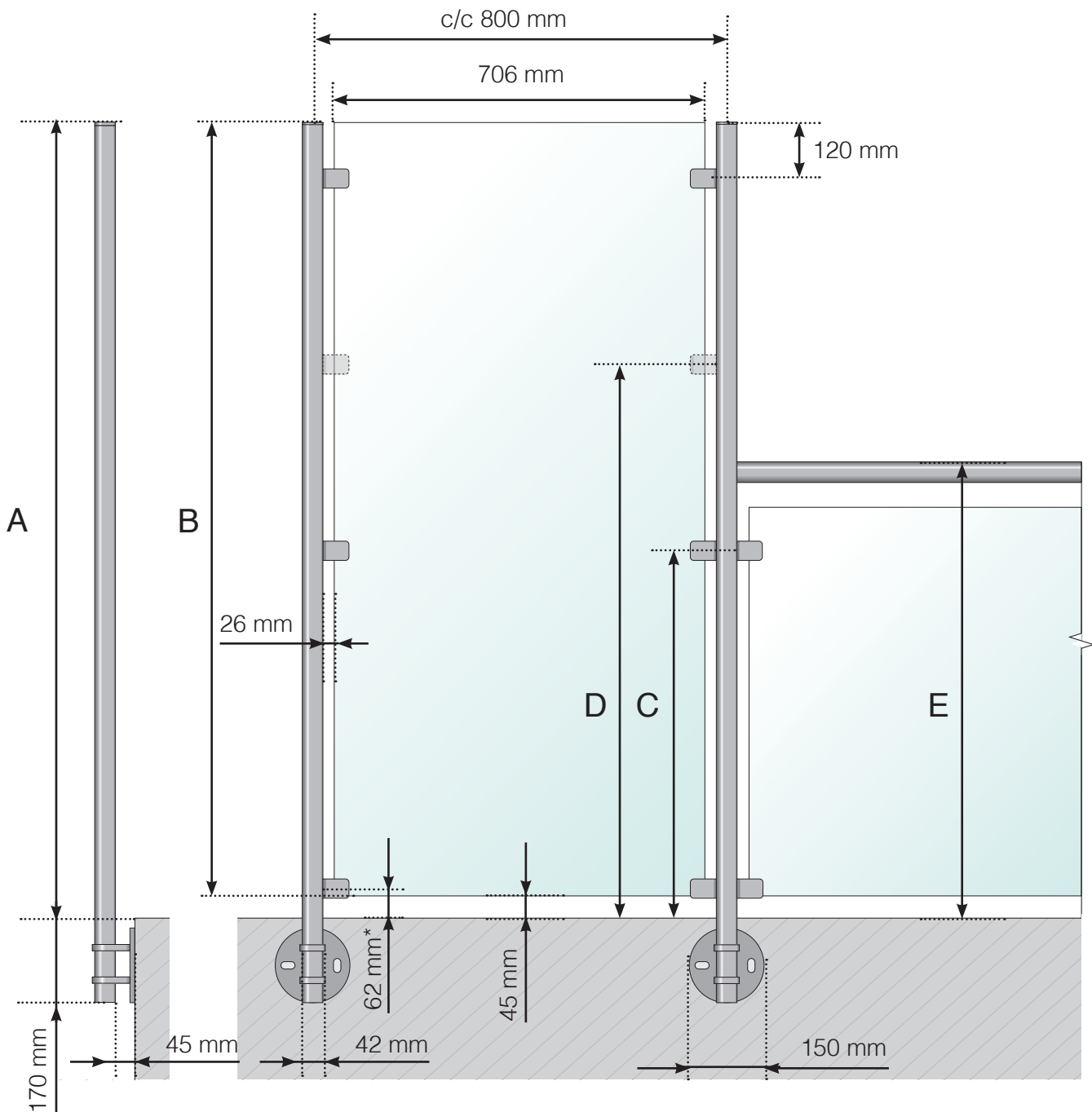
© Räckesbutiken Sweden AB - www.balustradestore.eu
2022-10-10 v.1.0



BALUSTRADESTORE.EU

DETAILED MEASUREMENTS

WIND PROTECTION: STAINLESS STEEL, EXTERIOR MOUNTED RAILING EXTENSION WITH CROSSBAR



A - The total height of the wind protection from the floor surface

B - Glass height

C - Total height of clamp from the floor surface

D - Extra clamp height from the floor surface. **Please note!** Only when extending an 800 or 900 mm high railing.

E - Total railing extension height from the floor surface

Please note that the drawings are not to scale

© Räckesbutiken Sweden AB - www.balustradestore.eu

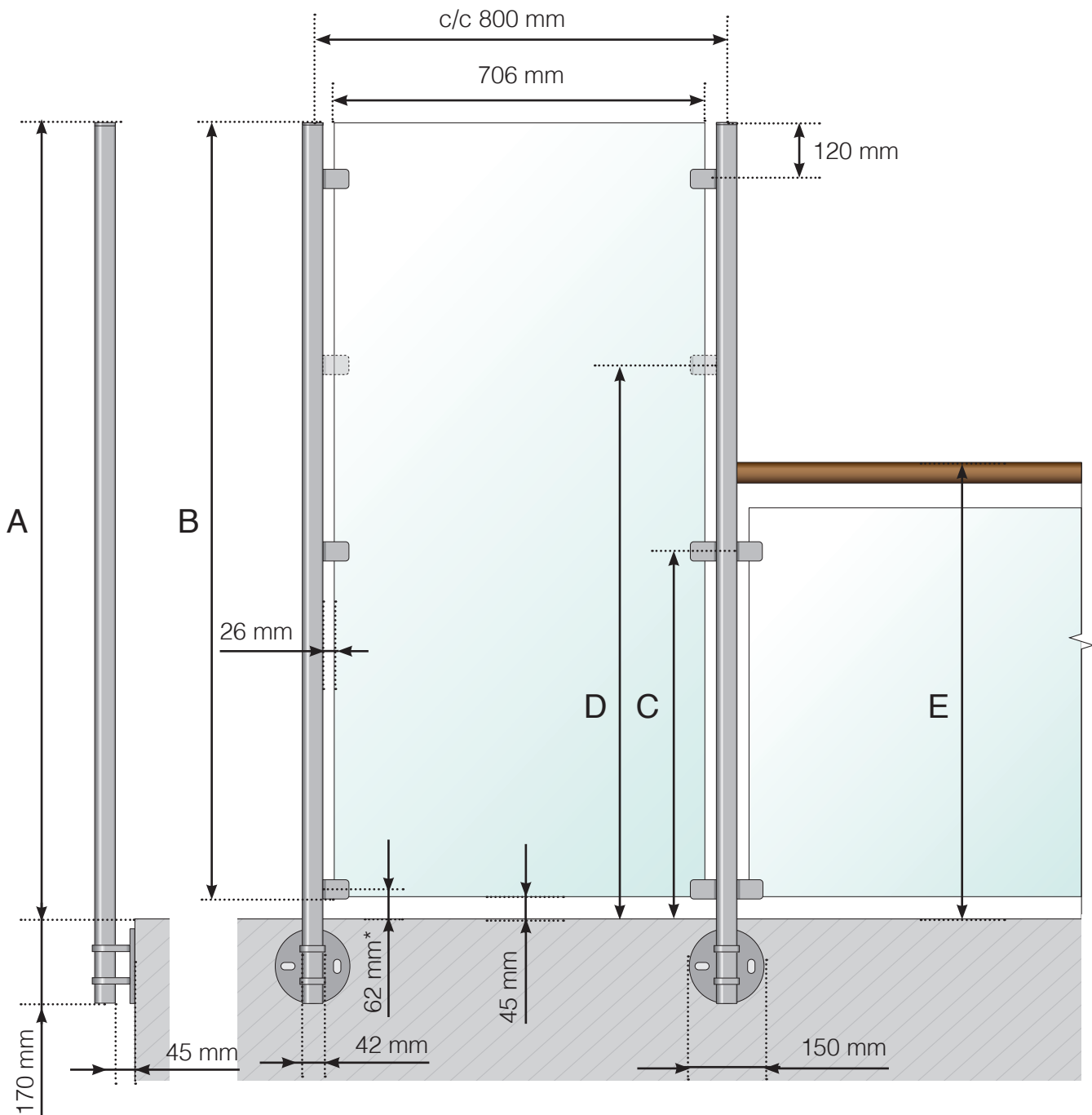
2022-10-10 v.1.0



BALUSTRADESTORE.EU

DETAILED MEASUREMENTS

WIND PROTECTION: STAINLESS STEEL, EXTERIOR MOUNTED
RAILING EXTENSION WITH WOODEN CROSSBAR



A - The total height of the wind protection from the floor surface

B - Glass height

C - Total height of clamp from the floor surface

D - Extra clamp height from the floor surface. **Please note!** Only when extending an 800 or 900 mm high railing.

E - Total railing extension height from the floor surface

Please note that the drawings are not to scale

© Räckesbutiken Sweden AB - www.balustradestore.eu

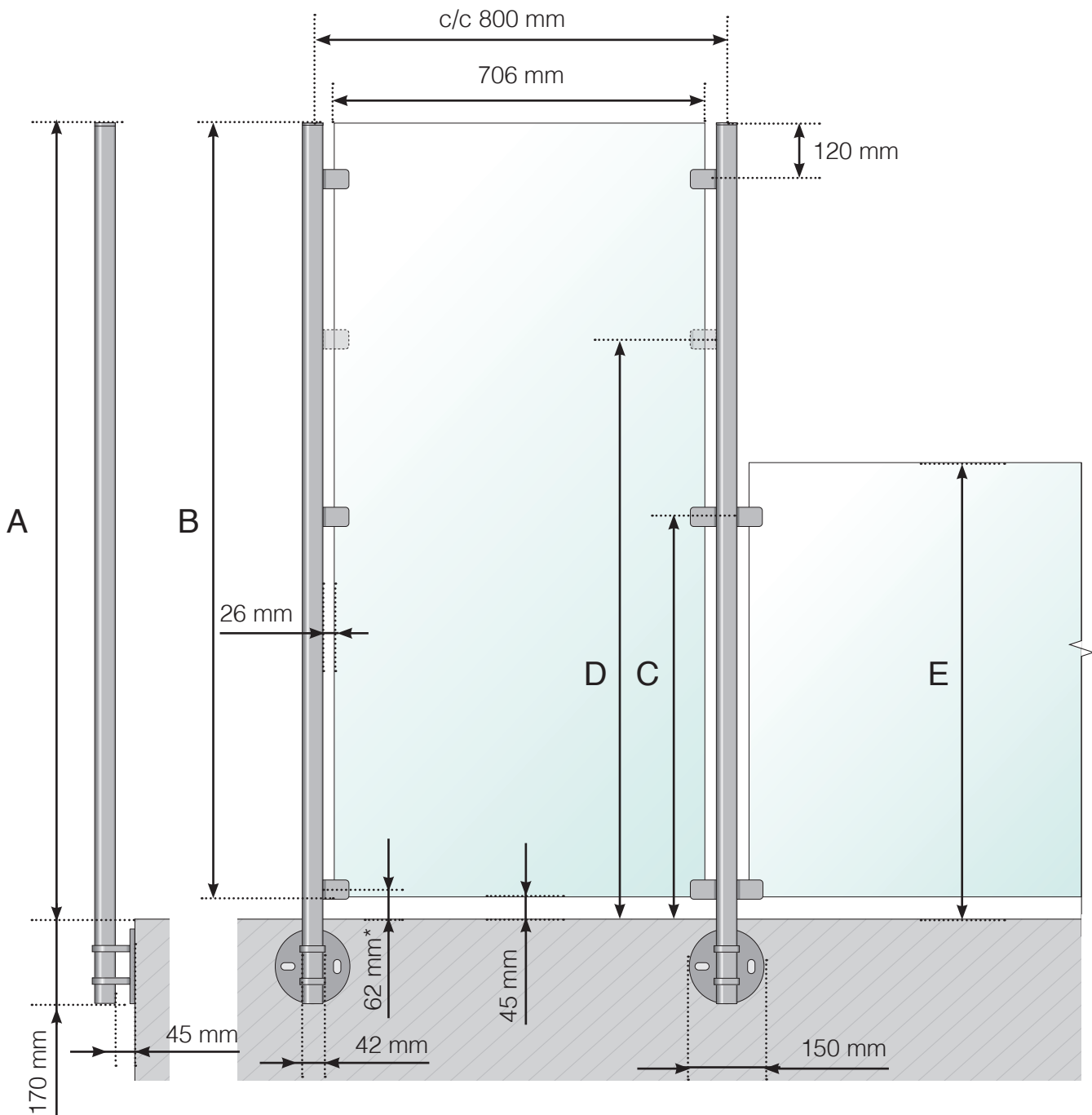
2022-10-10 v.1.0



BALUSTRADESTORE.EU

DETAILED MEASUREMENTS

WIND PROTECTION: STAINLESS STEEL, EXTERIOR MOUNTED
RAILING EXTENSION WITHOUT CROSSBAR



A - The total height of the wind protection from the floor surface

B - Glass height

C - Total height of clamp from the floor surface

D - Extra clamp height from the floor surface. **Please note!** Only when extending an 800 or 900 mm high railing.

E - Total railing extension height from the floor surface

Please note that the drawings are not to scale

© Räckesbutiken Sweden AB - www.balustradestore.eu

2022-10-10 v.1.0



BALUSTRADESTORE.EU